



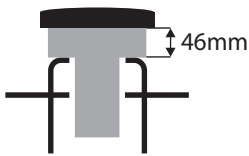
UP35-3

FUEL ANTI-SIPHON

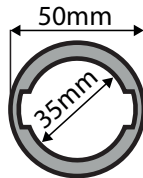
ULTRA Plus

Technical specifications

Product details	
Filler neck type	35mm double bayonet
Device Type	External
Locking method	Hammer drive screws
Device material	Aluminium alloy
Weight	0.18 kg
Flow speed	60L/min



External device

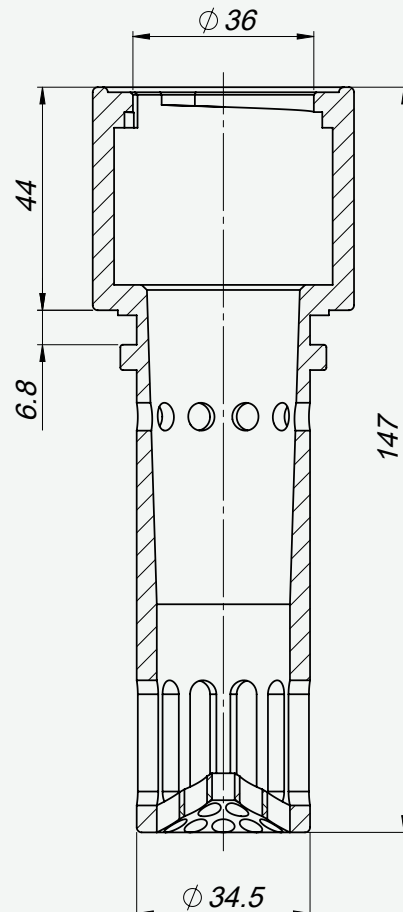
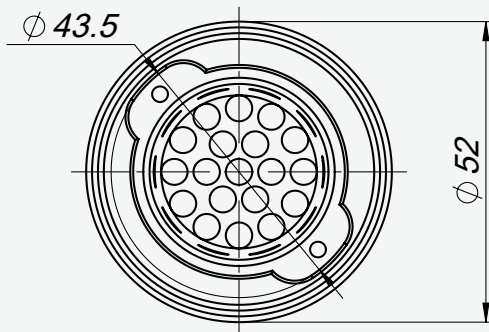


Double bayonet




Product dimensions (mm)

Use these dimensions to confirm the product will fit your vehicle




UP35-3 Vehicle Application List

Truck vehicles fitted

	Manufacturer	Models
	MITSUBISHI	<i>FUSO Canter - Light trucks with 35mm filler neck</i>
	TOYOTA	<i>Dyna - Light trucks with 35mm filler neck</i>
	HINO	<i>300 Series, Dutro and other 35mm filler neck models</i>

Other vehicles & machinery

	Manufacturer	Models
	Other	<i>There are more vehicles with the same filler neck, please contact us for more details.</i>